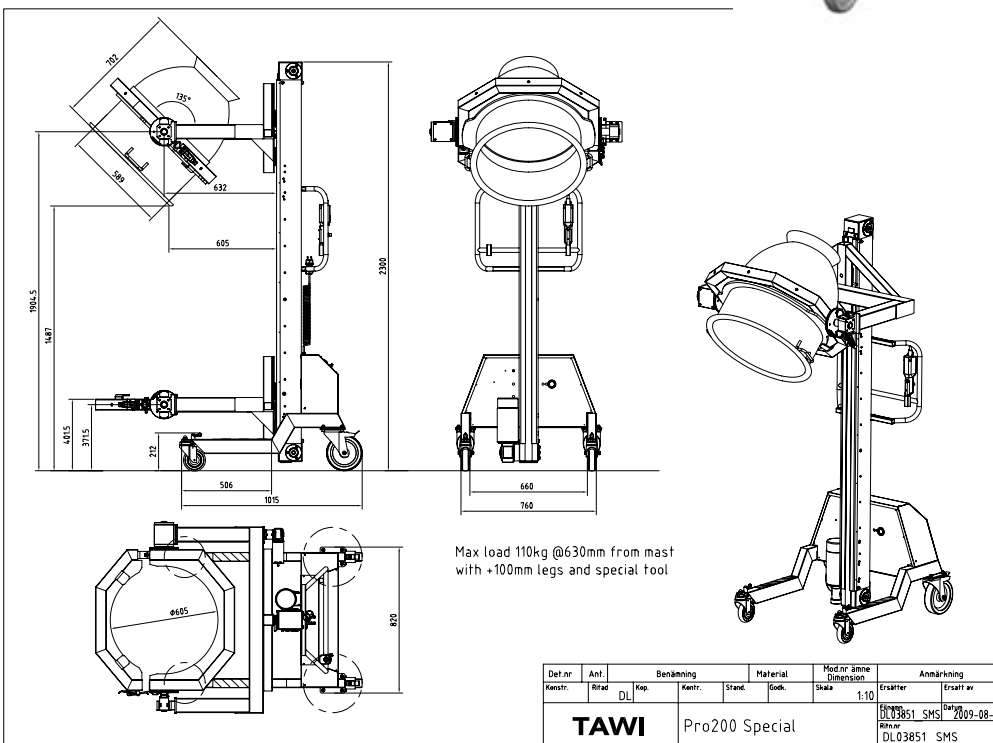


Protema PRO200 DL03851 containers in bakery

Drum tipper for stainless steel containers in bakery

Project nr: DL03851
 Project supervisor: Calle Enmark, TAWI AB
 Project engineer: David Lorensen, TAWI AB
 Max capacity, this version: PRO200 110 kg with
 container center @ 630 mm from mast,
 +100 mm legs and special tool.

- Special chassis with +100 mm legs for PRO200
- Shortened mast, TH=2300 mm
- Special electrical drum tipper for containers
 Ø 605 x 700 mm, max 110 kg



TO VIEW VIDEO
 CLICK HERE:
 >> Drum tipper video

OR GO TO:
www.tawi.com
 "DOWNLOAD"