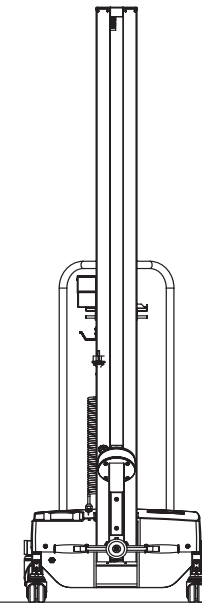
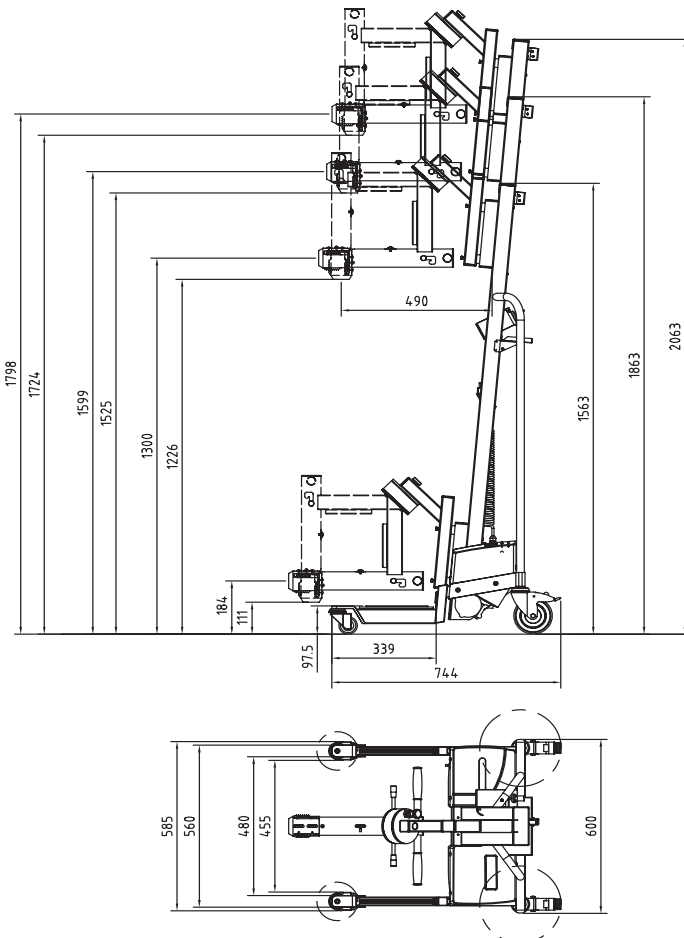


Protema electric lift PRO70 with coregripper tool

SPECIFICATIONS:	
Art nr:	8PRO70/ 8PRO703/ 8PRO705 with coregripper tool: 8292 (core 76 mm)
Max. load	35 kg / 77 lbs
Stroke	1115 / 1414 / 1613 (mm)
Weight of unit	appr 70 kg
Lifting speed - high/low	0,085 m/s
Charging voltage	110/230V AC
Battery voltage & capacity	24V DC 7Ah 55W
Lifting capacity/charge	30 kg 1m = 100 times
Total height	1563 / 1863 / 2063 (mm)
Wheels	Lowbuilt: front Ø60 mm, rear Ø125 mm Straight (optional): front and rear Ø125 mm

The Protema PRO70 with coregripper tool 8292 handles weights up to 35 kg (77 lbs) and can be supplied in three different lifting heights. See technical drawing below for detailed dimensions. The coregripper is inserted into the core of the reel and steel jaws grip on the inside. The tool is turned manually with almost no effort.



Max load 35kg with standard legs
Max reel size: Ø650x600mm
For core Ø76mm

