

## RECYCLING with vacuum



TAWI VacuEasylift vacuum lifter is a strong, compact, versatile piece of equipment designed to make quick work of handling many different loads weighing up to 270 kg.

It will secure goods of all shapes and sizes to lift and move them in total safety.



Lifting specialist TAWI manufactures products specifically designed to save knees, backs and shoulders from injuries and long-term problems caused by repetitive manual handling. Our range of lighter lifting equipment is focused on providing safe, reliable and efficient alternatives to manual lifting, loading and unloading operations.



Recycling of TV sets and other electronic devices. A rapidly growing area of application with VacuEasylift. Project nr 4681.

## RECYCLING WITH VACUUM

VacuEasylift uses vacuum for both lifting and holding loads in place. The vacuum is created by using a vacuum pump, which can be as far away as 30 metres from the actual lifting point.

The air is channelled through a filter and air hose from a lifting tube fitted with a suction foot.

The lifting tube is suspended on a swivel and can be operated in 360 degrees. The vacuum inside the lifting tube is regulated with a control handle. When the partial vacuum rises the lifting tube retracts and lifts the load. When the partial vacuum decreases the tube stretches and lowers the load.

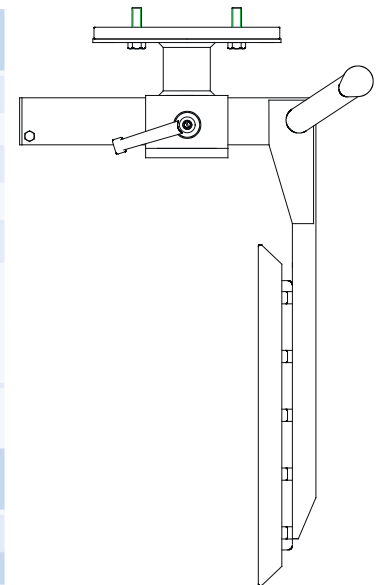
VacuEasylift is a thoroughly proven system meeting the highest standards of functionality and safety. The suction foot holds the load securely in place until it has reached the floor. Power cuts do not cause any safety issues. In the event of a black out, a safety valve shuts down and the load is lowered to the floor gently and under complete control.

An investment in a VacuEasylift vacuum lifter pays for itself. The system is easy to install and adjust to suit the requirements of the electronics recycling industry. Please contact TAWI or your VacuEasylift dealer for more info.



Project nr 2598. A side lifter for TV sets with adjustable suctionfoot. The suction foot is "low-built" to allow passage way into boxes to pick up the sets. On VM160 with fixed handle.

Recycling with vacuum, suitable models: VacuEasylift model VM120-VM160		
Handle	Fixed handle	
Lift tube	Ø120-160 mm	
Swivelling function	Integrated top swivel	
Lifting speed	Appr 1 m/s	
Lifting height	1700 mm	
Capacity max <40 kg	Model VM120	Art nr 632200
Capacity max <50 kg	Model VM140	Art nr 634200
Capacity max <60 kg	Model VM160	Art nr 616200
VACUUM PUMP SA320/2 art nr 610953 (3-phase, 50 Hz)		
Effect	2,2 kW	
ACCESSORIES		
• Air tube Ø32 mm l: 10 m art nr 630905		
• Air filter art nr 610931		
• Suction foot from top: art nr 630710		
• Suction foot from side: art nr 2598		
• Silencing hood for vacuum pump (optional) art nr 666600		
(Suspending jib arm or crane system not included)		



TAWI AB

Box 10205 434 23 KUNGSBACKA SWEDEN

Tel +46 (0)300 18500

info@tawi.se • www.TAWI.com